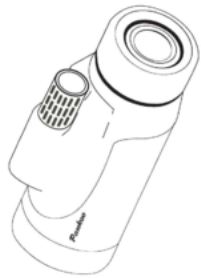


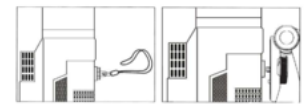
Pankoo
MONOCULAR
TELESCOPE



User Manual

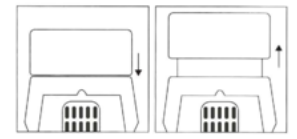
Hand strap & tripod:

Before use, please install the hand strap as picture below shown, which will make using easier and prevent it from falling and damage when in use.



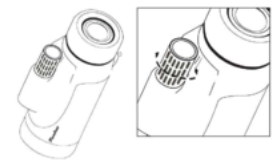
Adjust eyecup:

This product adopts adjustable eyecup, those who wear glasses need to lower the eyecup, while the others should raise and adjust the height of eyecup according to different needs to achieve the best observation effect.



Focusing & observing:

This product is designed to focus independently, first aim at the observed object, then rotate slowly until the observed object is clear.

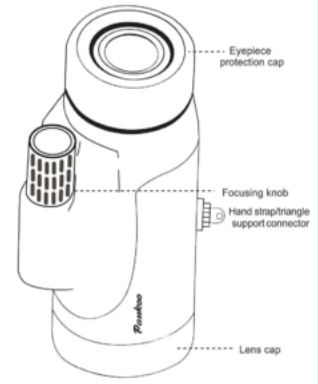


Lens cap:

Lens cap adopts simple disassembly design, can be removed and installed conveniently according to the need. Please install the lens cap correctly after using, and store it after reset, so as to prevent the lens from being scratched by hard objects.



WARNING:
Please do not use the telescope to directly observe the sun, otherwise it will cause permanent damage to eyes.



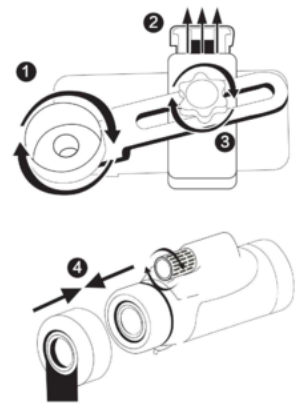
Maintain:

1. Please keep the monocular in the ventilate and dry place.
2. For removing the dirt or stain, please drop one or two drops of alcohol on the cotton flannel for cleaning.
3. when cleaning the lens, please do use the special cotton flannel that attached with the monocular or other softer, clean cloth.

Important Notice:

◆ Forbidden to clean the inner parts of the monocular or disassembly the monocular.
Caution: Do not allow using the monocular to watch the Sun directly! Use the monocular to watch the sun will causing incurable injure to human eyes.

Telescope with cell phone only 4 steps:



Telescope with tripod:



Including:



320mm*132mm